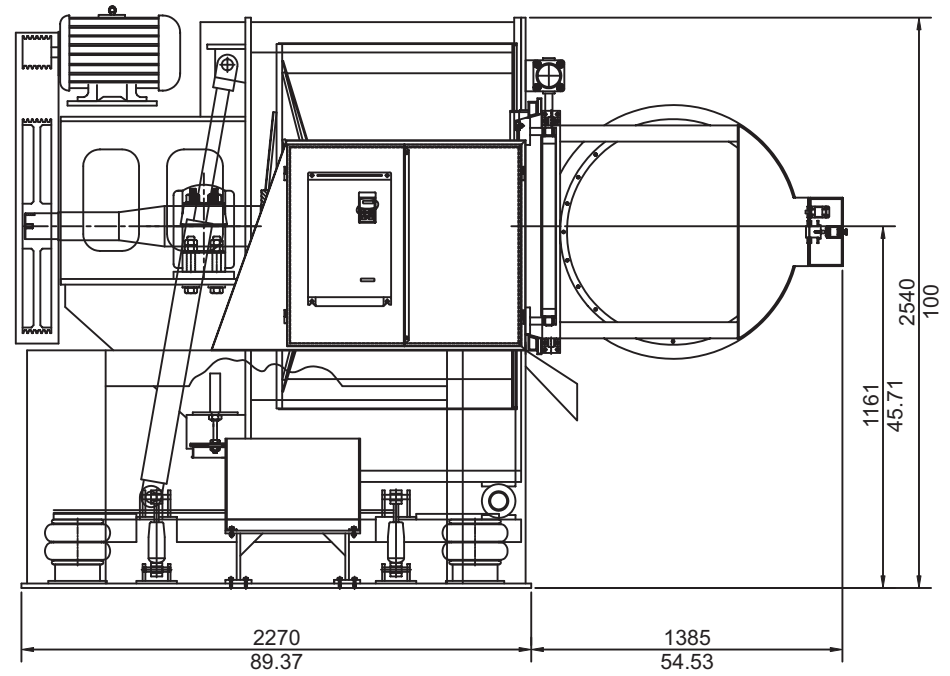
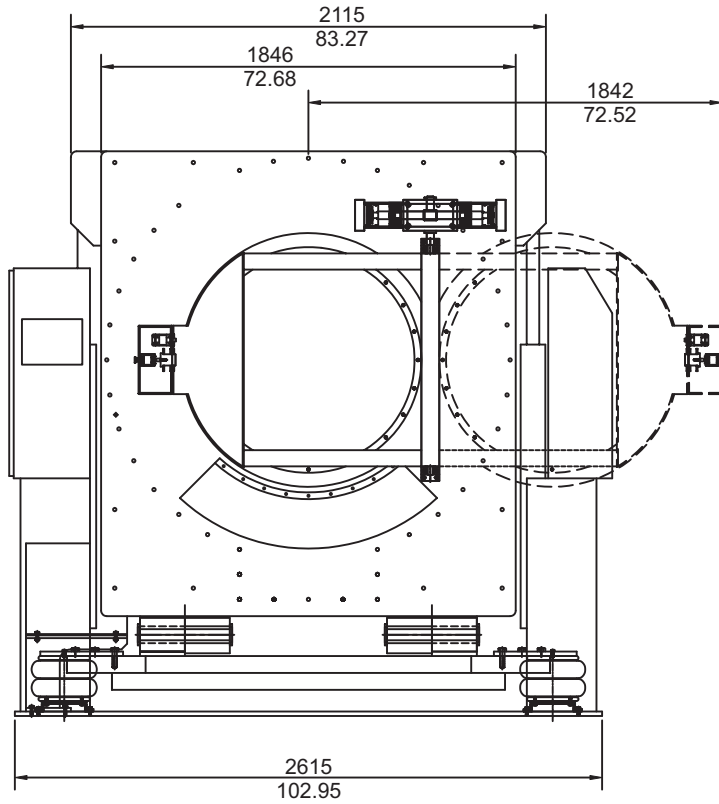


A



**Electrical Requirements**

Voltage	Phase	System Wire	Wire Size	Amps	Breaker
208-240VAC, 50/60Hz, 3PH	3	3 + GND	1	95	150
380-460VAC, 50/60Hz, 3PH	3	3 + GND	4	48	80

**Drain Requirements**

Connection Size		Discharge Rate		Min Sewer Line	
inches	mm	gal/min	liters/min	inches	mm
8	203	380	1435	8	203

**Water Requirements**

Water				Flow Rate (@45PSI/3Bar)		Minimum Supply Line Size		Max Operating Pressure			
Connection Size		Line Pressure		Max Temp		US	Metric	US	Metric		
US	Metric	PSI	Bar	F	C	gal/min	liter/min	US	Metric		
2"	DN50	30-75	2-5	200	93	45	170	2"	DN50	125 PSI	8 Bar

**Steam Requirements**


Steam				Minimum Supply Line Size		Max Operating Pressure	
Connection Size		Line Pressure		US	Metric	US	Metric
US	Metric	PSI	Bar	US	Metric	US	Metric
1-1/4"	DN32	30-75	2-5	1-1/4"	DN32	100 PSI	6 Bar

**Compressed Air**

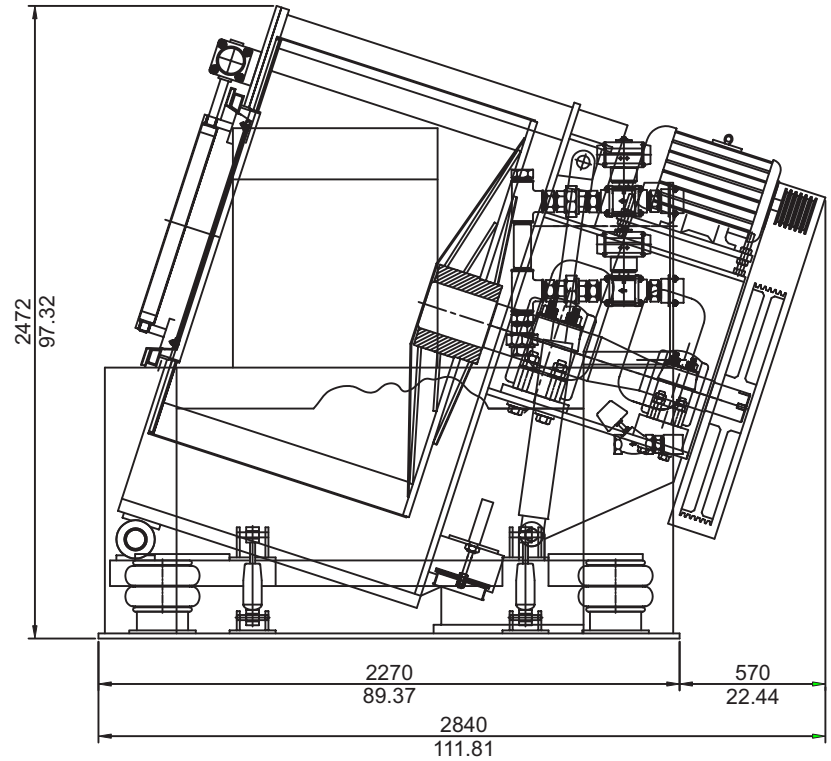
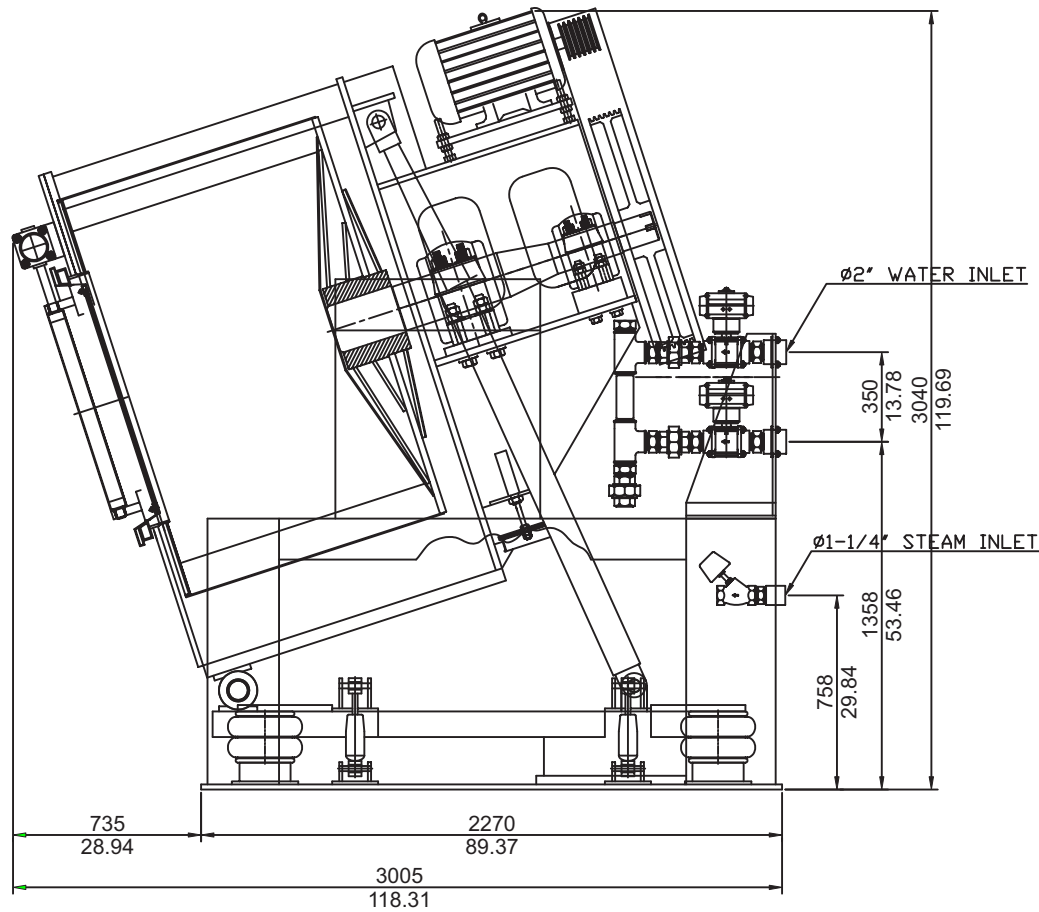
Connection Size		Consumption		Pressure	
US	Metric	US	Metric	US	Metric
3/8" NPT		1 CFM	0.02 CMM	80-100 PSI	5.5-5.7 BAR


**Dynamic Load Specifications**

Static Load		Dynamic Load		Dynamic Frequency
lbs	kN	lbs	kN	Hz
22098	98.3	6005	26.7	9.8

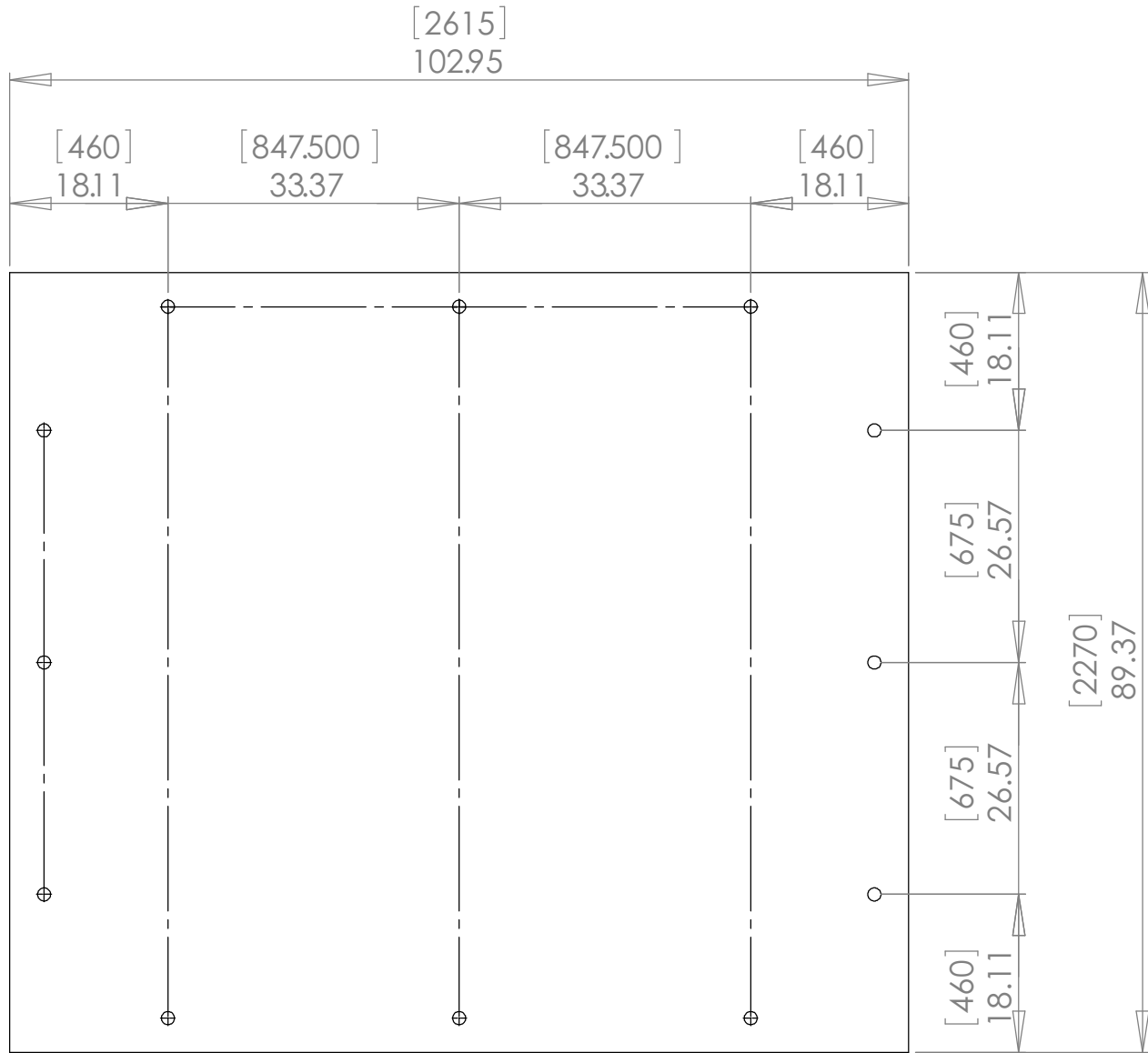
REV	BY	DATE	REV DESCRIPTION
A2	AFA	10-4-2013	Updated Floor Loading
DRAWN BY		DATE	 Panama City, FL Phone: 850-249-2222 Fax: 850-249-2226 www.bandctech.com
A. Adcock		8-18-2005	
CHECKED BY		DATE	
C. Oswald		8-18-2005	DESCRIPTION
SA-475 General Specifications			
DATE		FILE NAME	SHEET
8-18-2005		SA-475 General Dimensions.cdr	1 OF 2

A




REV	BY	DATE	REV. DESCRIPTION
A1	AFA	8-18-2005	Created Drawing
DRAWN BY		DATE	 Panama City, FL Phone: 850-249-2222 Fax: 850-249-2226 www.bandtech.com
A. Adcock		8-18-2005	
CHECKED BY		DATE	DESCRIPTION
C. Oswald		8-18-2005	
SA-475 General Specifications			
DATE	FILE NAME	SHEET	
8-18-2005	SA-475 General Dimensions.cdr	2 OF 2	

A



# FRONT OF MACHINE

REV A1	BY AFA	DATE 5-2-2008	REV. DESCRIPTION Created Drawing
DRAWN BY A. Adcock		DATE 5-2-2008	 Panama City, FL Phone: 850-249-2222 Fax: 850-249-2226 www.bandctech.com
CHECKED BY C. Oswald		DATE 5-2-2008	
DESCRIPTION General Technical Specifications <b>SA-475 Bolt Down Pattern</b>			
DATE 5-2-2008	FILE NAME SA-475 bolt.cdr	SHEET OF 1	