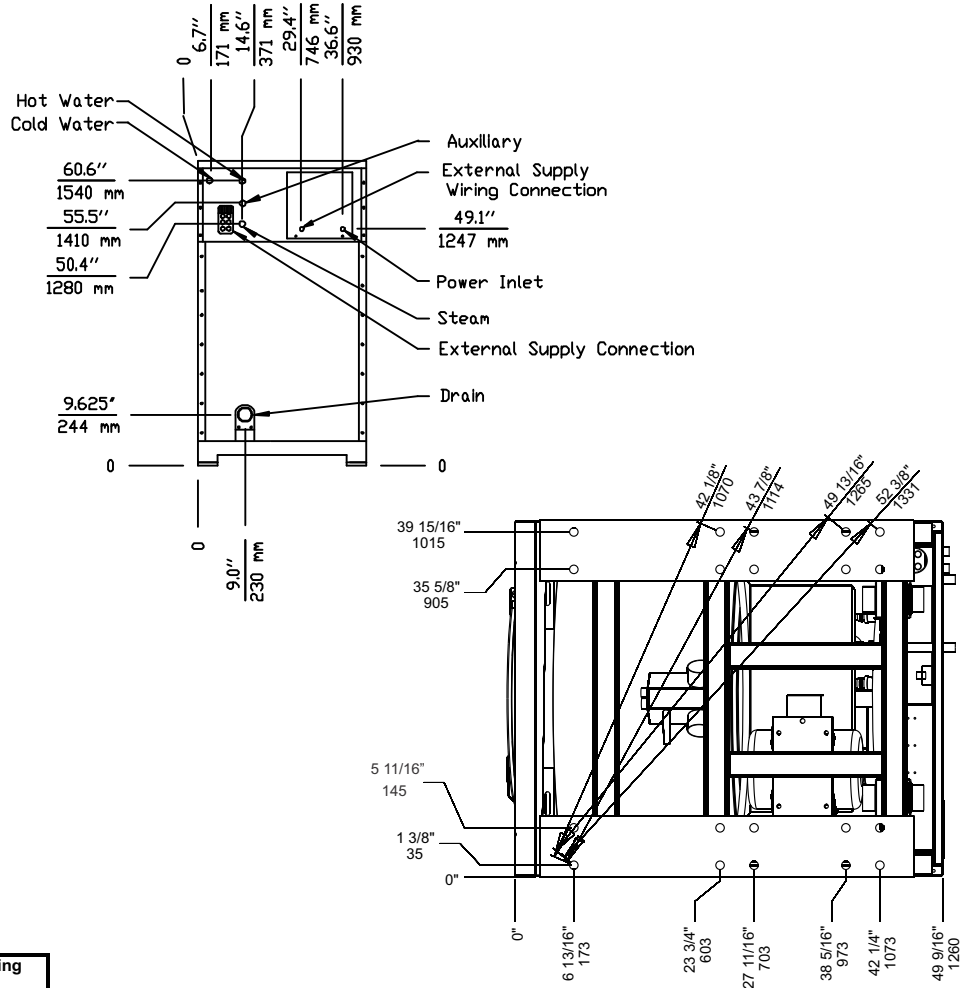
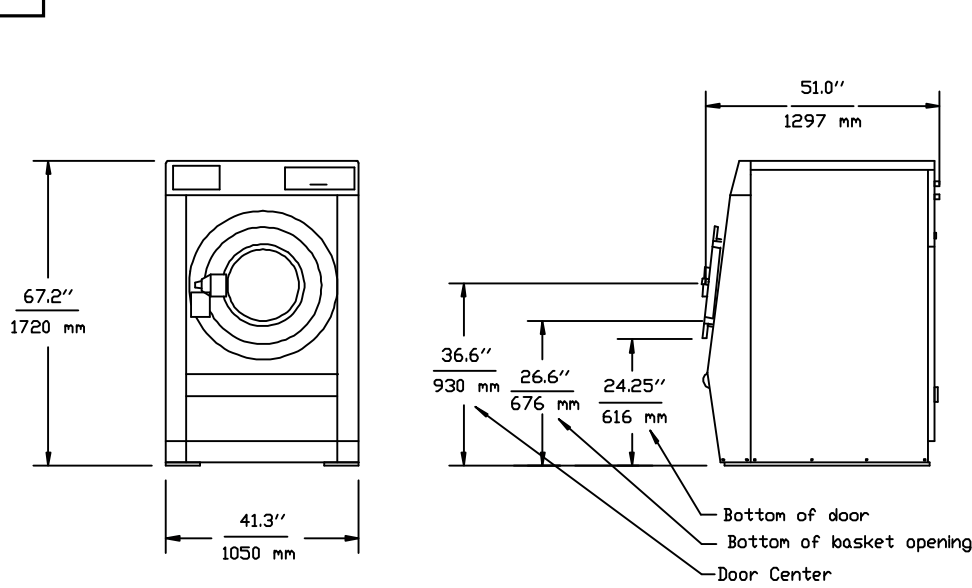


A



Electrical Requirements

Voltage	Phase	System Wire	Wire Size	Amps	Breaker
208-240VAC, 50/60Hz, 1PH	1	2 + GND	12	22	25
208-240VAC, 50/60Hz, 3PH	3	3 + GND	12	12.7	15
380-460VAC, 50/60Hz, 3PH	3	3 + GND	12	6.3	15
208-240VAC, 50/60Hz, 3PH Elec. Heat	3	3 + GND	3	75	80
380-460VAC, 50/60Hz, 3PH Elec. Heat	3	3 + GND	8	38	40

Drain Requirements

Connection Size		Discharge Rate		Min Sewer Line	
inches	mm	gal/min	liters/min	inches	mm
3	76	86	326	4	102

Water Requirements

Water				Flow Rate (@45PSI/3Bar)		Minimum Supply Line Size		Max Operating Pressure	
Connection Size		Line Pressure		Max Temp		US	Metric	US	Metric
US	Metric	PSI	Bar	F	C	gal/min	liter/min	US	Metric
3/4"	DN 19	30-75	2-5	200	93	11	40	1	DN 25
								125 PSI	8 Bar

Steam Requirements

Steam				Minimum Supply Line Size		Max Operating Pressure	
Connection Size		Line Pressure		US	Metric	US	Metric
US	Metric	PSI	Bar	US	Metric	US	Metric
3/4"	DN 19	30-75	2-5	3/4"	DN 19	100 PSI	6 Bar


Dynamic Load Specifications

Static Load		Dynamic Load		Dynamic Frequency
lbs	kN	lbs	kN	Hz
1950	8.7	2400	10.7	8.9

Shipping Data

Type	lbs	kg	cu ft	cu m
Domestic	1800	818	93	2.6
Export	1870	850	93	2.6

MOUNTING BOLT DETAIL
 Foundation details are in the HE Series Installation & Operation Manual

REV	BY	DATE	REV. DESCRIPTION
A2	AFA	03-31-2015	Updated water flow rate
DRAWN BY		DATE	 Panama City, FL Phone: 850-249-2222 Fax: 850-249-2226 www.bandctech.com
A. Adcock		9-30-2013	
CHECKED BY		DATE	
S. Brown		9-30-2013	
DESCRIPTION			
General Technical Specifications			
HE-85			
DATE	FILE NAME	SHEET	
9-30-2013	HE-85GenSpec.cdr	1 OF 1	