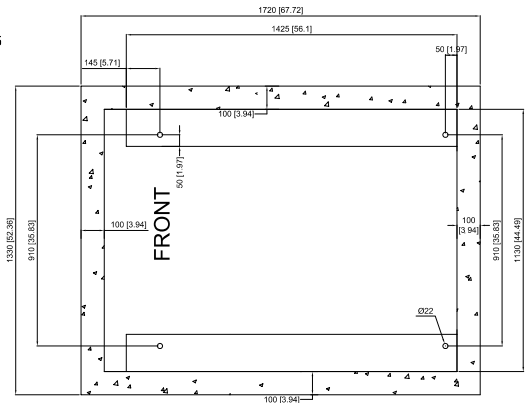
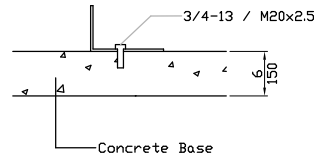
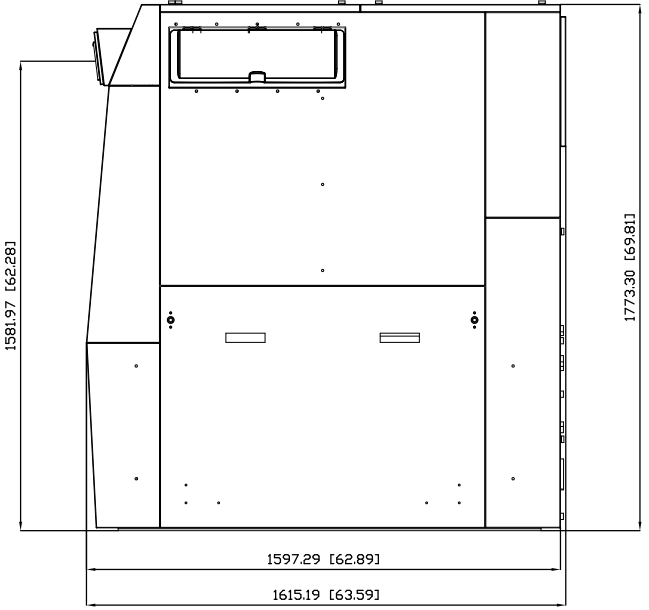
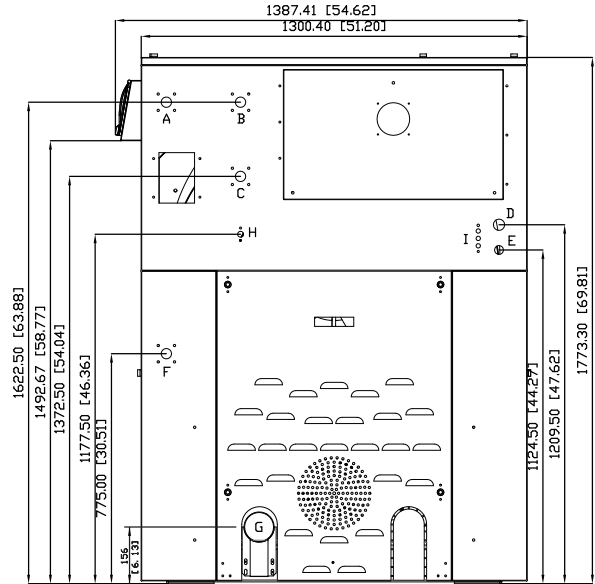
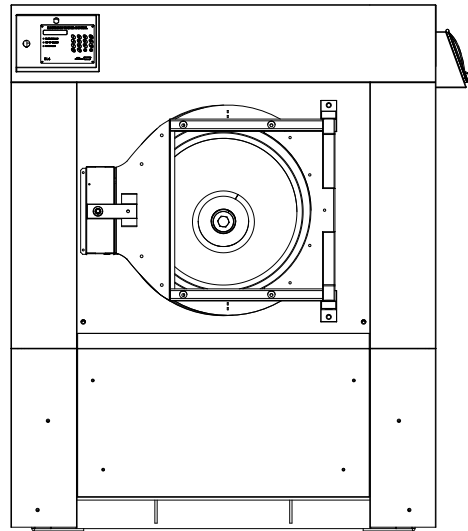


A



**Electrical Requirements**

Voltage	Phase	System Wire	Wire Size	Amps	Breaker
208-240VAC, 50/60Hz, 1PH	1	2 + GND			
208-240VAC, 50/60Hz, 3PH	3	3 + GND	8	26	30
380-460VAC, 50/60Hz, 3PH	3	3 + GND	14	13	15
208-240VAC, 50/60Hz, 3PH Elec. Heat	3	3 + GND			
380-460VAC, 50/60Hz, 3PH Elec. Heat	3	3 + GND			

- A = Cold Water Inlet 1"
- B = Hot Water Inlet 1"
- C = Water Re Use 1"
- D = Electrical Cable Connection
- E = Chemical Signal Connection
- F = Steam Inlet 1"
- G = Drain Connection 4"
- H = Air Inlet 3/8"
- I = Grease Point

**Drain Requirements**

Connection Size		Discharge Rate		Min Sewer Line	
inches	mm	gal/min	liters/min	inches	mm
4	102	150	560	5	127

**Water Requirements**

Water						Flow Rate (@45PSI/3Bar)		Minimum Supply Line Size		Max Operating Pressure	
Connection Size		Line Pressure		Max Temp		gal/min	liter/min	US	Metric	US	Metric
US	Metric	PSI	Bar	F	C						
1"	DN 25	30-75	2-5	200	93	30	113	1-1/4	DN 32	125 PSI	8 Bar

**Steam Requirements**

Steam				Minimum Supply Line Size		Max Operating Pressure	
Connection Size		Line Pressure		US	Metric	US	Metric
US	Metric	PSI	Bar				
3/4"	DN 19	30-75	2-5	3/4"	DN 19	100 PSI	6 Bar

**Dynamic Load Specifications**


Static floor load		Static pressure		Total Dynamic Load		Dynamic pressure		Dynamic Frequency
kN	lbs	kN/m2	lbs/ft2	kN	lbs	kN/m2	lbs/ft2	Hz
14.88	3344	7.1	149	8.4	1893	4.0	85	12.78

**Shipping Data**

Type	lbs	kg	cu ft	cu m
Domestic	3980	1809	190	5.4
Export	4070	1850	190	5.4

**Compressed Air**

Connection Size		Consumption		Pressure	
US	Metric	US	Metric	US	Metric
	3/8" NPT	0.5 CFM	0.01 CMM	80-100 PSI	5.5-7 BAR

REV A2	BY AFA	DATE 05-26-2015	REV. DESCRIPTION Updated Elec Spec
DRAWN BY A. Adcock		DATE 9-30-2013	 Panama City, FL Phone: 850-249-2222 Fax: 850-249-2226 www.bandctech.com
CHECKED BY C. Oswald		DATE 9-30-2013	
DESCRIPTION General Technical Specifications <b>SP-135</b>			
DATE 9-30-2013	FILE NAME SP-135GenSpec.cdr	SHEET 1 OF 1	